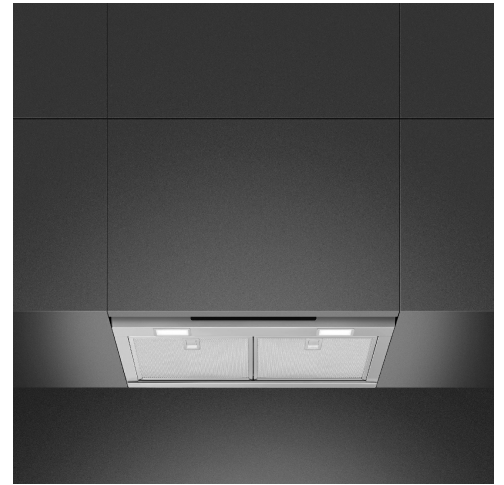


KSGT63X

Product family	Hood
Hood Type	Integrated hood
Design	Fully integrated
Extraction	Extraction
Electronic control	Yes
Material	Stainless steel
Type of steel	Brushed
EAN code	8017709312138
Hood width	60 cm






Aesthetics

Aesthetic Colour	Universale Stainless steel	Finishing Logo	Satin Embossed
------------------	-------------------------------	----------------	-------------------

Controls

Control setting	Touch control back-lighted White	Led color	White
-----------------	-------------------------------------	-----------	-------

Programme / Functions

No. of speeds	3
Intensive speed	
24h air filter function	
Time-setting options	

Technical Features

   	No. of lights	2	No. of filters	2
	Light type	LED	Anti-grease filters	Aluminium
	Light Power	1.3 W	Filter replacement indicator	Yes
	Dimmer mode	Yes	Vent outlet	150 mm

Light color temperature scale (°K)	4000 °K	Minimum distance from GAS hob	650 mm
Free outlet maximum capacity	730 m³/h	Minimum distance from ELECTRIC hob	500 mm
Motor power	230 W	Non return valve	Yes

	Extraction rate IEC 61591 [m³/h]	Noise level IEC 60704-2-13 [dB(A)]
Speed 1	265	47
Speed 2	365	54
Speed 3	482	61
Intensive speed	716	70

Performance / Energy Label

A

Annual Efficiency Consumption (AEChood)	53 kWh/a	Airborne acoustical A-weighted sound Power Emission at maximum speed (SPEmax)	62 dB(A)
Energy efficiency class (EEC)	A	Airbourne acoustical A-weighted sound power emission at boost speed (SPEboost)	70 dB(A)
Fluid Dynamic Efficiency (FDE)	31,3	Power consumption in stand-by mode (Ps)	0,49 W
Fluid Dynamic Efficiency class (FDEC)	A	Time increase factor (F)	0,9
Lighting Efficiency (LE)	75,0 lux/W	Energy Efficiency Index	51,7
Lighting Efficiency Class (LEC)	A	Measured air flow rate at best efficiency point (Qbep)	388 m³/h
Grease Filtering Efficiency (GFE)	84,9 %	Measured air pressure at best efficiency point (Pbep)	450 Pa
Grease Filtering Efficiency Class (GFEC)	C	Measured electric power input at best efficiency point (Wbep)	155 W
Air flow at minumum speed (Qmin)	270 m³/h	Nominal Power consumption of the light system (WL)	3 W
Air flow at maximum speed (Qmax)	482 m³/h	Average illumination of the light on the cooking surface (Emiddle)	195 lux
Air flow at boost speed (Qboost)	716 m³/h	Sound power level at highest setting (Lwa)	62 dB(A)
Airbourne acouistical A-weighted sound Power Emission at minimum speed (SPEmin)	47 dB(A)		

Electrical Connection

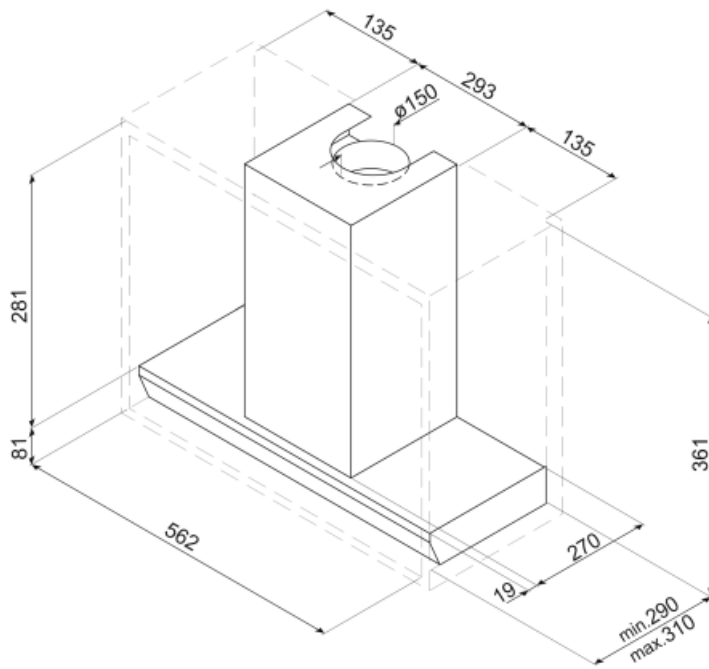
Electrical connection rating	233 W	Frequency (Hz)	50-60 Hz
------------------------------	-------	----------------	----------

Voltage

220-240 V

Power supply cable
length

1500 mm



Not included accessories



KITFCGT63

regenerable and dishwasher safe charcoal filter for KSGT63X hoods



KITALLFC

Universal Charcoal filter Stainless Steel AISI 304 The filter can be washed in dishwasher 50 °C (water and suitable detergent) and to dry it put in the oven 180°C 25 minutes

Symbols glossary (TT)



24h: When selected this function refreshes the air for c. 10 minutes every hour over a 24 hour period, at minimum speed and an imperceptible noise level.



A: Product drying performance, measured from A+++ to D / G depending on the product family



Warning light(s): to advise when filters need changing.



Intensive/turbo setting: when extra fast extraction is required.



Filters: Model has filters to help remove grease from the steam emanating from the pans during cooking.



Switch off automatically: A special setting, to run after the end of cooking for a pre-set time and then switch off automatically.



Lights: All cooker hoods feature lights to illuminate the cooking area or add to the ambience of the kitchen.



Dimming Lights