

P106ES



Product Family	Hob
Built-in type	Traditional
Dimensions	100 cm
Power supply	Gas
Type	Gas
EAN code	8017709179175



Aesthetics



Aesthetic	Piano Design
Colour	Stainless steel
Finishing	Glossy
Material	Stainless Steel
Type of steel	Polished
Pan stands	Stainless steel
Pan Stand Coating	EverShine
Burner Coating	EverShine
Type of control setting	Control knobs
Control knob position	Front
No. of controls	6
Controls colour	Steel effect

Programme / Functions

Total no. of cook zones	6
No. of gas cook zones	6

Options

Worktop Cut-Out	480-484x839-844 mm
-----------------	--------------------

Technical Features

UR **UR**

Left - Gas - UR - 3.60 kW
 Rear-left - Gas - Semi Rapid - 1.70 kW
 Front-left - Gas - AUX - 0.90 kW
 Front-right - Gas - Rapid - 2.40 kW
 Rear-right - Gas - AUX - 0.90 kW
 Right - Gas - UR - 3.60 kW
 Gas safety valves Yes

Automatic Ignition Yes

Electrical Connection

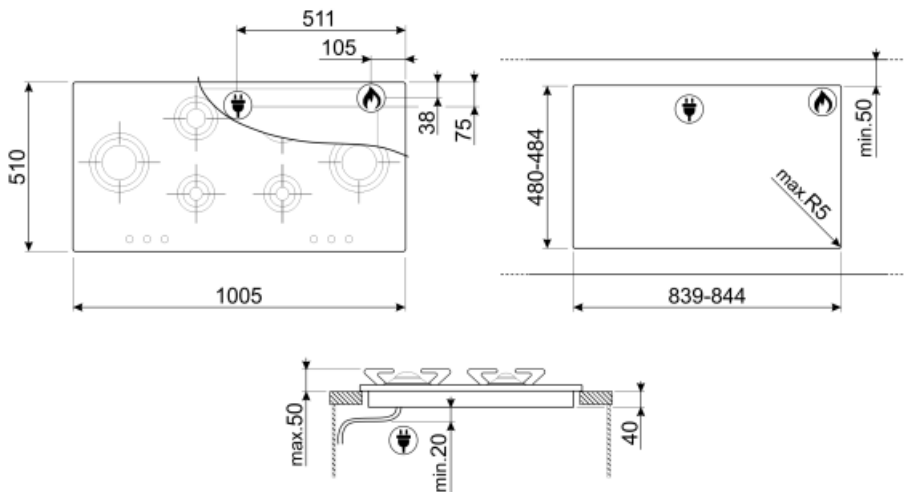
Electrical connection rating (W) 1 W
 Voltage (V) 220-240 V
 Type of electric cable installed Yes, Single phase

Frequency (Hz) 50/60 Hz
 Power supply cable length 120 cm

Gas Connection

Gas Type G20 Natural gas
 Gas connection Cylindrical
 Other gas nozzles included G30 GPL Liquid gas

Other gas connections provided Conical
 Gas connection rating (W) 13300 W



Not included accessories



GP106ES





St. Steel pan stands and burner caps



TPK

Stainless steel grill plate to cook
Teppanyaki dishes

Symbols glossary (TT)

	Standard installation: Traditional installation in tabletop, suitable for any kitchen sets		Knobs control
	Ever Shine: is an invisible coating that makes the effected area highly resistant to heat.		Ultra rapid burners: Powerful ultra rapid burners offer up to 5kw of power.