

MIR6NS-1



Product family	Taps
Material	Brass
Swivelling spout	Yes
Swivelling spout rotation	360 °



Aesthetics

Aesthetic	Coloniale	Tap type	Single lever
Colour	Nickel	Jet type	Single jet
Finishing	Satin	Aerator	Yes
Spout type	L spout	Flexible hoses number	2

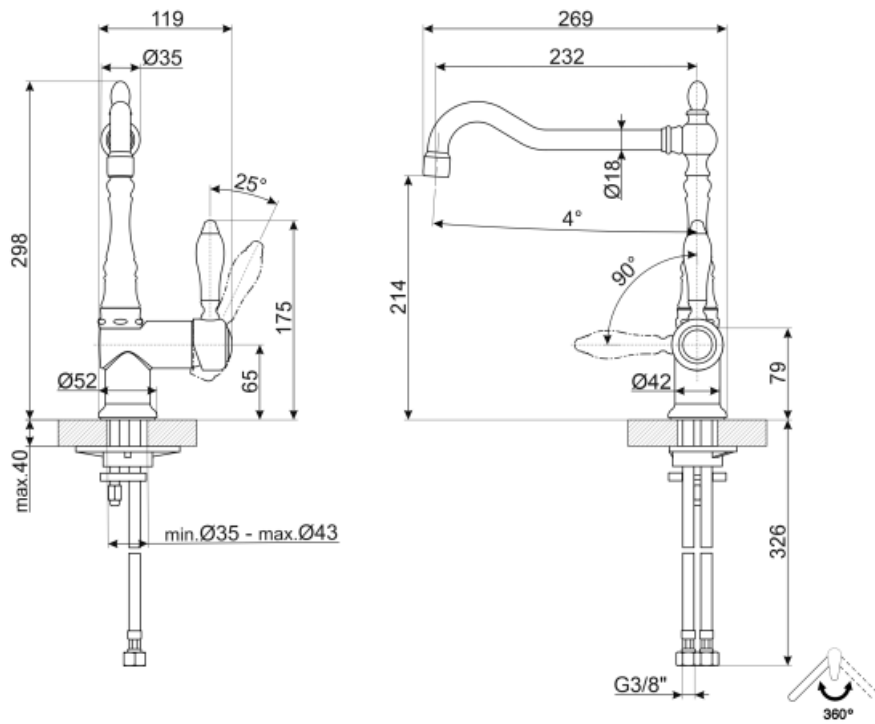
Technical Features



Characteristics	ESC	Minimum pressure	1 bar
Flexible hoses lenght	370 mm	Optimal pressure	3 bar
Flexible hoses connection	3/8 "	Water production (l/min)	12 l
Ceramic disc cartridge type	35 Ø	Tap hole diameter	35 mm
Maximum pressure	5 bar		

Logistic Information

Product height (mm)	299 mm
---------------------	--------



Not included accessories



STABMIX
Tap stabiliser

Symbols glossary (TT)



ESC: with the ESC Energy Saving Cartridge system the control lever positioned in the middle dispenses only cold water, and not 50% of hot and 50% of c



Swivel spout rotation 360°