

KS89POE

Product family	Hood
Hood Type	Decorative wall hood
Design	Chimney
Extraction	Extraction
Material	Painted material
Type of steel	Brushed
EAN code	8017709211882
Hood width	90 cm



Aesthetics

Aesthetic Colour	Coloniale Cream	Components finishing Logo	Antique brass Applied
------------------	-----------------	---------------------------	-----------------------



Controls

Control setting	Control knobs	Control knobs	Colonial
No. of controls	2	Controls colour	Old Brass

Programme / Functions

No. of speeds	3
Intensive speed	

Technical Features

 			
No. of lights	2	No. of filters	3
Light type	LED	Anti-grease filters	Stainless steel
Light Power	1 W	Vent outlet	150 mm
Light color temperature scale (°K)	3000 °K	Minimum distance from GAS hob	750 mm
Free outlet maximum capacity	820 m ³ /h	Minimum distance from ELECTRIC hob	650 mm
Motor power	275 W	Non return valve	Yes

	Extraction rate IEC 61591 [m ³ /h]	Noise level IEC 60704-2-13 [dB(A)]
Speed 1	331	52
Speed 2	439	57
Speed 3	547	63
Intensive speed	788	71

Performance / Energy Label

A

Annual Efficiency Consumption (AEChood)	55 kWh/a	Airbourne acoustical A-weighted sound Power Emission at minimum speed (SPEmin)	52 dB(A)
Energy efficiency class (EEC)	A	Airborne acoustical A-weighted sound Power Emission at maximum speed (SPEmax)	63 dB(A)
Fluid Dynamic Efficiency (FDE)	31	Airbourne acoustical A-weighted sound power emission at boost speed (SPEboost)	71 dB(A)
Fluid Dynamic Efficiency class (FDEC)	A	Time increase factor (F)	0,9
Lighting Efficiency (LE)	90,9 lux/W	Energy Efficiency Index	51,9
Lighting Efficiency Class (LEC)	A	Measured air flow rate at best efficiency point (Qbep)	406 m ³ /h
Grease Filtering Efficiency (GFE)	80,1 %	Measured air pressure at best efficiency point (Pbep)	449 Pa
Grease Filtering Efficiency Class (GFEC)	C	Measured electric power input at best efficiency point (Wbep)	164 W
Air flow at minumum speed (Qmin)	331 m ³ /h	Nominal Power consumption of the light system (WL)	2 W
Air flow at maximum speed (Qmax)	547 m ³ /h	Average illumination of the light on the cooking surface (Emiddle)	200 lux
Air flow at boost speed (Qboost)	788 m ³ /h	Sound power level at highest setting (Lwa)	63 dB(A)

Electrical Connection

Electrical connection rating	277 W	Frequency (Hz)	50-60 Hz
Voltage	220-240 V	Power supply cable length	1000 mm

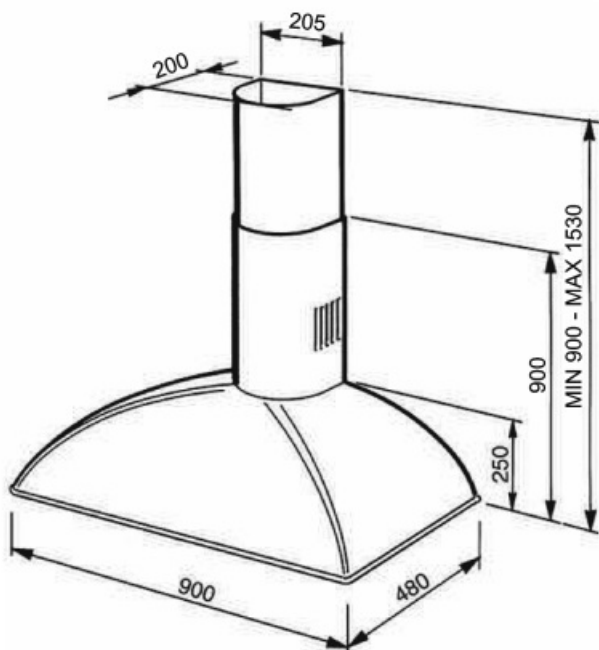
Also available

Alternative colours
available

Anthracite, Gunmetal,
Copper

Available colours

KS89PE-KS89DE-
KS89RAE-KS89AE-
KSE89AOE



Not included accessories



FLT6

Round Charcoal filters (kit 2 pieces)



KITALLFC

Universal Charcoal filter Stainless Steel AISI 304 The filter can be washed in dishwasher 50 °C (water and suitable detergent) and to dry it put in the oven 180°C 25 minutes

Symbols glossary (TT)



Filters: Model has filters to help remove grease from the steam emanating from the pans during cooking.



Lights: All cooker hoods feature lights to illuminate the cooking area or add to the ambience of the kitchen.



A: Product drying performance, measured from A+++ to D / G depending on the product family



Intensive/turbo setting: when extra fast extraction is required.