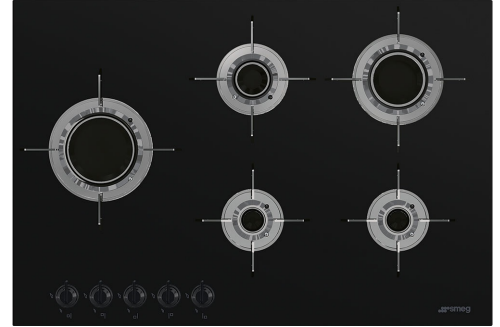


# PVL675LCN

Product Family	Hob
Built-in type	Ultra-low profile or Fully Flushed
Dimensions	70/75 cm
Power supply	Gas
Type	Gas
EAN code	8017709217822



## Aesthetics



Aesthetic	Dolce Stil Novo
Colour	Black
Finishing	Glass
Material	Glass
Glass type	Ceramic
Glass edge	Straight edge
Glass on Steel	Yes
Pan stands	Stainless steel
Pan Stand Coating	Titanium
Burners	Laminate
Burners Material	Brass
Burner Coating	Nichelato
Type of control setting	Control knobs
Control knob position	Front
No. of controls	5
Controls colour	Black
Serigraphy colour	Grey
Alternative colours available	Stainless steel

## Programme / Functions

Total no. of cook zones	5
No. of gas cook zones	5

## Options

Worktop Cut-Out 482-486x700-704 mm

## Technical Features

UR

Centre-left - Gas - UR - 3.50 kW

Rear-centre - Gas - Semi Rapid - 1.60 kW

Front-centre - Gas - AUX - 1.00 kW

Rear-right - Gas - Rapid - 2.50 kW

Front-right - Gas - AUX - 1.00 kW

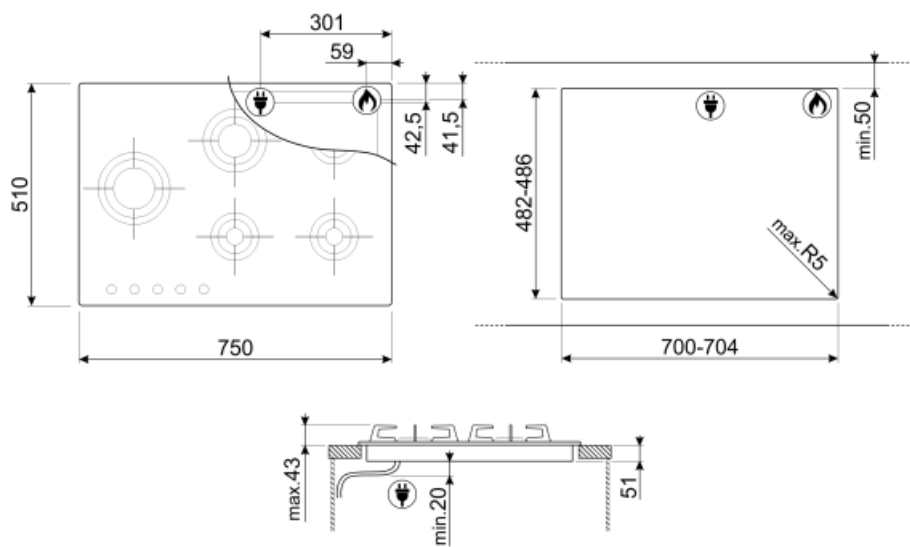
Gas safety valves Yes Automatic Ignition Yes

## Electrical Connection

Electrical connection rating (W)	1 W	Frequency (Hz)	50/60 Hz
Voltage (V)	220-240 V	Power supply cable length	120 cm
Type of electric cable installed	Yes, Single phase		

## Gas Connection

Gas Type	G20 Natural gas	Other gas connections provided	Conical
Gas connection	Cilindrical	Gas connection rating (W)	9600 W
Other gas nozzles included	G25 Natural gas, G30 GPL Liquid gas		



---

## Not included accessories

---



**KPDSN75L**

Stainless Steel artistic pan stands  
Titanium coating Leaves design Suitable  
for 75cm hobs



**WOKGHU**

Cast iron WOK Support



**GRM**

Coffee machine support



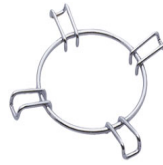
**KPDSN75F**

Stainless Steel artistic pan stands  
Titanium coating Fruit design Suitable  
for 75cm hobs



**LGCN**

Connecting Strip Built-in hobs, stainless  
steel, 475/495 mm



**GRW**

Wok support



**6MP1BF**

6 Linea knobs kit for hobs with blade  
flame



**6MP1BFB3**






**KPDSN75I**

Stainless Steel artistic pan stands  
Titanium coating Butterflies design  
Suitable for 75cm hobs

## Symbols glossary (TT)

---

- |  |   |   |  |
|--|---|---|--|
|  | Knobs control   |  | Reinforced base: A reinforced base, developed exclusively by Smeg, consists of a steel layer fixed to the underside of the glass surface of all gas on glass hobs. |
|  | Ultra rapid burners: Powerful ultra rapid burners offer up to 5kw of power. |   |  |