

## VSTQ50-2

Sink material	Stainless steel
Type	Squared bowl
No. of bowls	1
EAN code	8017709127732



### Aesthetics



<b>Aesthetic</b>	Universale	<b>Finishing</b>	Brushed
<b>Serie</b>	Quadra	<b>Building in type</b>	Undermount
<b>Colour</b>	Stainless steel	<b>Logo</b>	Embossed

	Bowl type	Bowl dimensions, WxDxH (mm)	Bowl depth (mm)	Overflow	Strainer position	Strainer dimension
Bowl	Squared	500 x 400 x 210	210	Yes, traditional	Wall position	3.5"

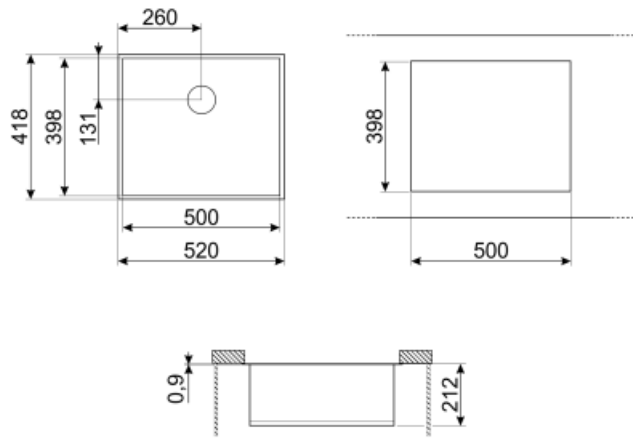
### Technical Features



<b>Dimensions of the product (mm)</b>	210x520x418 mm	<b>Gasket type</b>	Sealing paste
<b>Cutout dimension undermount (mm)</b>	398*500 mm	<b>No. of clips</b>	6
<b>Base unit size</b>	60 cm	<b>Type of clips</b>	Undermount clip
<b>Tap hole diameter</b>	35 mm		

### Accessories Included

<b>Accessories for installation</b>	Strainer, Savespace siphon with dishwasher outlet connection, Fixing clips
-------------------------------------	--



---

## Not included accessories

---



### RND1V

Rondò waste kit 1 bowl with standard overflow



### KITFD100

Waste disposal 1 HP, Motor: 1/2 horsepower, Fits all sinks with 3 1/2" waste outlet



### KITFD050

Waste disposal 0,5 HP, Motor: 1/2 horsepower, Fits all sinks with 3 1/2" waste outlet



### 3712

Siphon single bowl sinks (dishwasher connection included)



### 3713

Siphon double bowls sinks (dishwasher connection included)



### KITFD075

Waste disposal 0,75 HP, Motor: 1/2 horsepower, Fits all sinks with 3 1/2" waste outlet


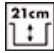



### VSH20Q

Colander for square sinks radius 0 204 x 438 x 118 mm

## Symbols glossary (TT)

---

- |  |   |   |   |
|--|---|---|---|
|  | Cupboard width required for sink installation   |  | Sink depth - depending on the model, the depth can be from 13 to 24,5 |
|  | Under table top installation: The sink is fixed under tabletop, which extends the work surface and the depth of the sink. |   |   |