

LYG800

Sink material	Stainless steel
Type	Monoblock bowl
No. of bowls	1
EAN code	8017709273071



Aesthetics



Aesthetic	Universale	Building in type	Standard
Serie	Omni	Logo	Embossed
Colour	Stainless steel	Tap hole / precut tap hole	1 Tap hole
Finishing	Brushed		

	Bowl type	Bowl dimensions, WxDxH (mm)	Bowl depth (mm)	Radius corner bowl	Overflow	Strainer position	Strainer dimension
Bowl	Minimum radius	720*414*191	191	80	Yes, traditional	Wall position	3.5"

Technical Features

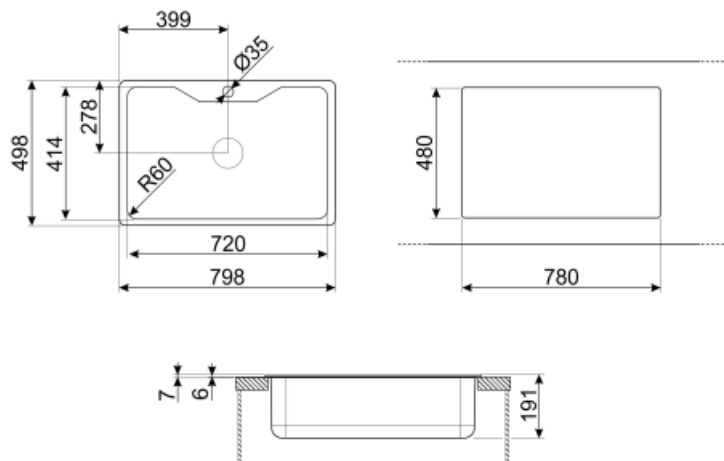


Dimensions of the product (mm)	191x798x498 mm	Tap hole diameter	35 mm
Cutout dimension topmount (mm)	780*480 R36 mm	Gasket type	Sealing paste
Height from kitchen top	8 mm	No. of clips	10
Base unit size	80 cm	Type of clips	Standard
Tap hole	1		

Accessories Included

Accessories for
installation

Strainer, Savespace siphon
with dishwasher outlet
connection, Fixing clips,
Gasket



Not included accessories



RND1V

Rondò waste kit 1 bowl with standard overflow



KITFD100

Waste disposal 1 HP, Motor: 1/2 horsepower, Fits all sinks with 3 1/2" waste outlet



STABMIX

Tap stabiliser



COLPTX

Draining rack base 300 x 185 x 82 mm



KITFD050

Waste disposal 0,5 HP, Motor: 1/2 horsepower, Fits all sinks with 3 1/2" waste outlet



3712




Siphon single bowl sinks (dishwasher connection included)



KITFD075

Waste disposal 0,75 HP, Motor: 1/2 horsepower, Fits all sinks with 3 1/2" waste outlet

Symbols glossary (TT)

- | | | | |
|--|--|---|---|
|  | Cupboard width required for sink installation |  | Sink depth - depending on the model, the depth can be from 13 to 24,5 |
|  | Standard installation: Traditional installation in tabletop, suitable for any kitchen sets | | |