

# FAB10HRPG5



|                  |               |
|------------------|---------------|
| Product Family   | Refrigerator  |
| Installation     | Free standing |
| Category         | One Door      |
| Reference width  | Until 60      |
| Reference height | Until 100     |
| Cooling type     | Static        |
| Defrost          | Automatic     |
| Hinge type       | Standard      |
| Hinge position   | Right         |
| EAN code         | 8017709297961 |



## Aesthetics

|           |              |               |         |
|-----------|--------------|---------------|---------|
| Aesthetic | 50's Style   | Handle type   | Fixed   |
| Colour    | Pastel green | Handle colour | Chrome  |
| Finishing | Glossy       | Logo colour   | Chrome  |
| Design    | Rounded      | Side material | Steel   |
| Material  | Heat-moulded | Side colour   | Cream   |
| Handle    | External     | Logo          | Applied |

## Refrigerator compartment features



|                            |       |                                 |     |
|----------------------------|-------|---------------------------------|-----|
| No. of adjustable shelves  | 2     | Internal light in fridge        | Yes |
| Type of adjustable shelves | Glass | Type of internal light (fridge) | LED |

## Refrigerator Inner Door


|                                   |   |                       |   |
|-----------------------------------|---|-----------------------|---|
| Number of adjustable door shelves | 2 | No. of bottle shelves | 1 |
|-----------------------------------|---|-----------------------|---|

## Other technical features

|                             |                    |
|-----------------------------|--------------------|
| Type of temperature control | Electro-mechanical |
| No. of compressors          | 1                  |
| Refrigerant gas type        | R600a              |
| Type of compressor          | Standard           |

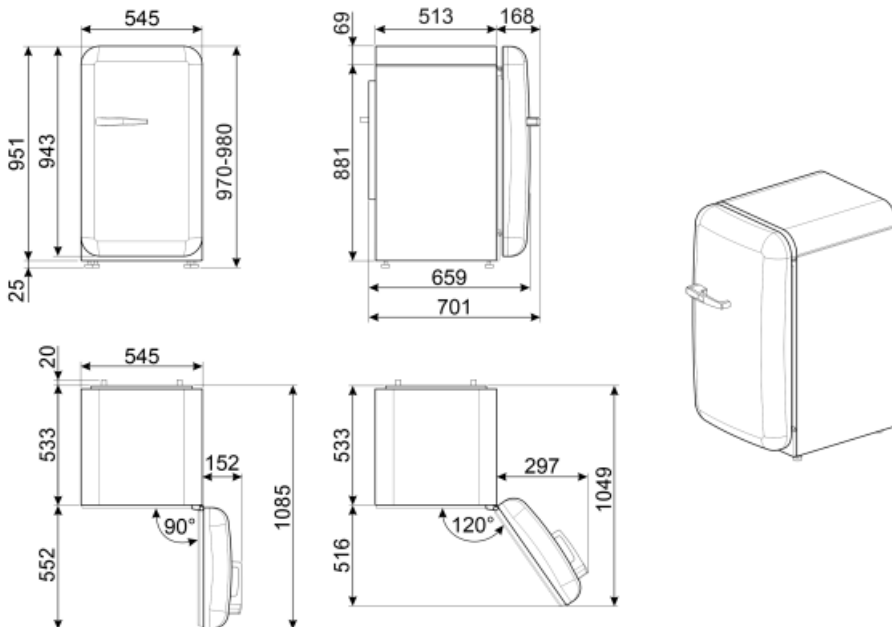
|                           |              |
|---------------------------|--------------|
| Refrigerant Quantity (gr) | 28 g         |
| Foam agent                | Cyclopentane |

## Performance / Energy Label NEW 2019

|  |          |  |                 |
|--|----------|--|-----------------|
|  |          |  |                 |
| Annual energy consumption  | 88 kWh/a | Sum of the volumes of the chill compartment(s) and the unfrozen compartment(s) | 135 l           |
| Energy efficiency class  | E        | Airborne acoustical noise emissions  | 35 dB(A) re 1pW |
| Airborne acoustical noise emission class   | B        | Climate class  | SN, N, ST, T    |
| Total net volume   | 135 l    | EI   | 96 %            |

## Electrical Connection

|             |              |                           |        |
|-------------|--------------|---------------------------|--------|
| Plug        | (F;E) Schuko | Frequency (Hz)            | 50 Hz  |
| Current     | 0.35 A       | Power supply cable length | 180 cm |
| Voltage (V) | 220-240 V    |                           |        |



## Symbols glossary (TT)

---



The automatic defrost system works by automatically defrosting at regular intervals eliminating the need to defrost altogether.



Energy efficiency class E



A++: Energy efficiency class A++ helps to save up to 20% energy compared to class A. Maximum performance with minimum consumption is guaranteed.



LED interior lighting: is a more energy efficient and long lasting way of illuminating the interior of the appliance.