

# FAB28RDB



<b>Product Family</b>	Refrigerator
<b>Installation</b>	Free Standing
<b>Category</b>	One Door
<b>Cooling type</b>	Fan assisted
<b>Defrost</b>	Automatic for refrigerator, manual for freezer
<b>Hinge type</b>	Standard
<b>Hinge position</b>	Right
<b>EAN code</b>	8017709165246



## Aesthetics

<b>Aesthetics</b>	50's Style	<b>Handle type</b>	Fixed
<b>Colour</b>	Decorated / Special	<b>Handle colour</b>	Black
<b>Decoration / Special colour</b>	Blu Denim	<b>Logo colour</b>	Black
<b>Finishing</b>	Gloss	<b>Side material</b>	Steel
<b>Collaborations</b>	Smeg & Italia Independent	<b>Side colour</b>	Decorated / Special
<b>Design</b>	Rounded	<b>Logo</b>	Applied
<b>Material</b>	Heat-moulded	<b>Colori disponibili</b>	Orange, Pastel blue, White, Blue, Black, Cream, Pink, Red, Silver, Pastel green, Lime green, Decorated / Special
<b>Handle</b>	External		

## Refrigerator compartment features



<b>No. of adjustable shelves</b>	3	<b>Bottle shelf</b>	Yes
<b>Number of fruit and vegetables drawers</b>	1	<b>Type of crisper/vegetable drawers cover</b>	Glass
<b>Type of adjustable shelves</b>	Glass	<b>Internal light in fridge</b>	Yes
<b>Type of crisper/vegetable drawers cover</b>	Standard	<b>Type of internal light (fridge)</b>	LED
<b>Crisper Cover</b>	Yes		

## Refrigerator Inner Door

<b>No. of door shelves with transparent cover</b>	1	<b>No. of bottle shelves</b>	1
<b>Number of adjustable door shelves</b>	2	<b>Bottle shelves with wire support</b>	Yes
<b>Adjustable door shelves with wire support</b>	Yes		

## Other Refrigerator features



<b>Accessories</b>	Bottle holder, 2 sliders	<b>Fan</b>	Yes
--------------------	--------------------------	------------	-----

## Other technical features

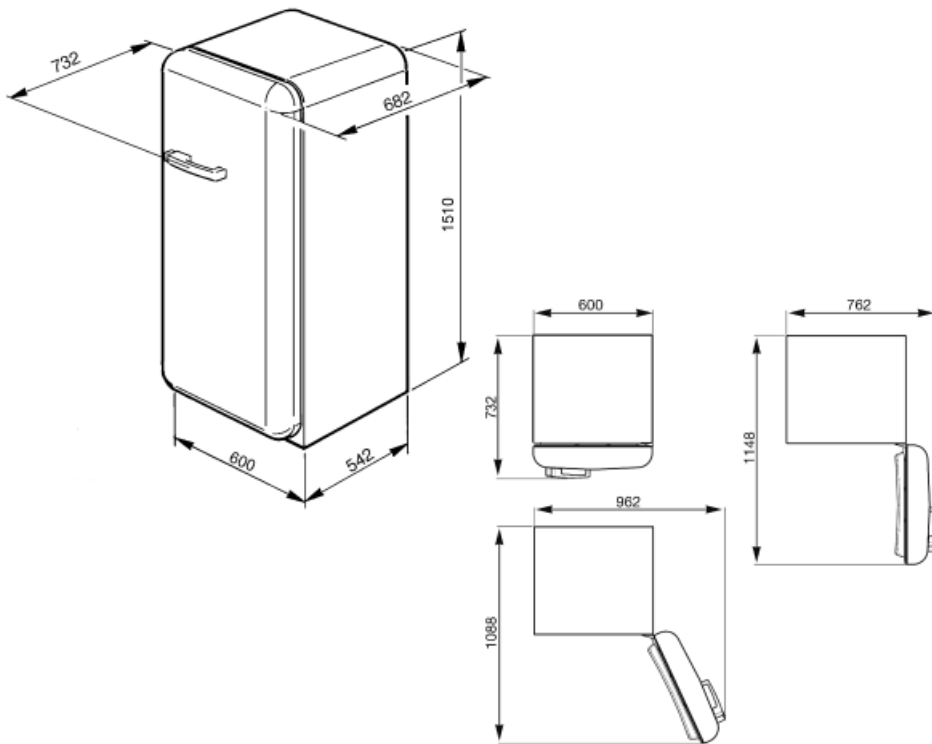
<b>Freezer compartment accessories</b>		<b>Ice cube tray</b>	
<b>Type of temperature control</b>		<b>Electro-mechanical</b>	
<b>No. of compressors</b>		<b>1</b>	
<b>Refrigerant gas type</b>		<b>R600a</b>	
<b>Type of compressor</b>		<b>Standard</b>	
<b>Refrigerant Quantity (gr)</b>		<b>44 g</b>	
<b>Foam agent</b>		<b>Cyclopentane</b>	

## Performance / Energy Label NEW

<b>Noise level</b>	39 dB(A) re 1pW	<b>Climatic class</b>	SN, N, ST, T
--------------------	-----------------	-----------------------	--------------

## Electrical Connection

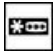




<b>Plug</b>	(F;E) Schuko	<b>Voltage (V)</b>	220-240 V
<b>Nominal power</b>	90 W	<b>Frequency (Hz)</b>	50 Hz
<b>Current</b>	0,75 A	<b>Power supply cable length</b>	200 cm



---

## Symbols glossary

---

- |                                                                                                                                                                                                                                          |                                                                                                                                                                                                                                     |
|------------------------------------------------------------------------------------------------------------------------------------------------------------------------------------------------------------------------------------------|-------------------------------------------------------------------------------------------------------------------------------------------------------------------------------------------------------------------------------------|
|  <p>4 stars freezing compartment for better food preservation.</p>                                                                                       |  <p>The automatic defrost system works by automatically defrosting at regular intervals eliminating the need to defrost altogether.</p>            |
|  <p>A++: Energy efficiency class A++ helps to save up to 20% energy compared to class A. Maximum performance with minimum consumption is guaranteed.</p> |  <p>Ventilated: Forced distribution of cold air in the refrigerator compartment, which allows even temperature distribution within the fridge.</p> |
|  <p>LED interior lighting: is a more energy efficient and long lasting way of illuminating the interior of the appliance.</p>                            |                                                                                                                                                                                                                                     |