

# VQR50RS

Sink material	Stainless steel
Type	Welded bowl
No. of bowls	1
EAN code	8017709208974



## Aesthetics



<b>Aesthetic</b>	Universale	<b>Building in type</b>	Ultra-low profile
<b>Serie</b>	Mira	<b>Logo</b>	Embossed
<b>Colour</b>	Stainless steel	<b>Tap hole / precut tap hole</b>	2 Tapholes
<b>Finishing</b>	Brushed		

	Bowl type	Bowl dimensions, WxDxH (mm)	Bowl depth (mm)	Radius corner bowl	Overflow	Strainer position	Strainer dimension
Bowl	Minimum radius	500 x 400 x 200	200	15	Yes, flush fitted	Wall position	3.5"

## Technical Features

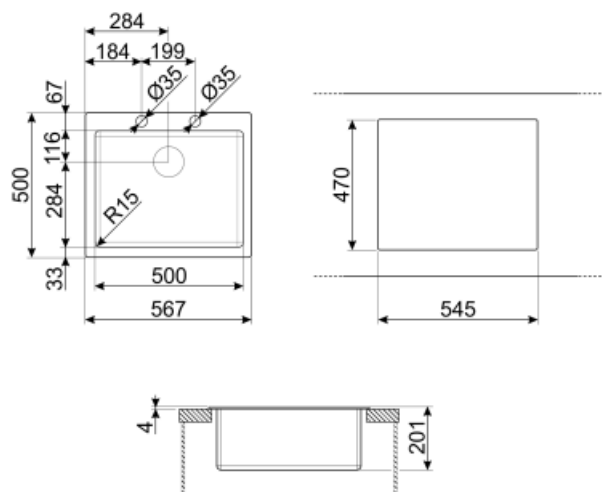


<b>Dimensions of the product (mm)</b>	196x567x500 mm	<b>Tap hole diameter</b>	35 mm
<b>Cutout dimension topmount (mm)</b>	545 x 470 mm	<b>Popup command</b>	Yes, single
<b>Height from kitchen top</b>	6 mm	<b>Popup command type</b>	Squared
<b>Base unit size</b>	60 cm	<b>No. of clips</b>	10
<b>Tap hole</b>	2	<b>Type of clips</b>	Standard

## Accessories Included

**Accessories for  
installation**

Strainer, Savespace siphon  
with dishwasher outlet  
connection, Fixing clips,  
Gasket, Automatic pop - up  
with roudn rotary control



## Not included accessories



### KITFD050

Waste disposal 0,5 HP, Motor: 1/2 horsepower, Fits all sinks with 3 1/2" waste outlet



### DB34

St/steel drain basket to fit STD radius 340 x 400 bowl, 180 mm depth



### COL36

St/steel colander for MINIMUM radius bowls, measures 370 x 410 x 30 mm



### KITFD100

Waste disposal 1 HP, Motor: 1/2 horsepower, Fits all sinks with 3 1/2" waste outlet



### KITSLTRND1

Bowl automatic pop up Rondò waste kit with rectangular overflow and round knob



### 3712

Siphon single bowl sinks (dishwasher connection included)



### 3713

Siphon double bowls sinks (dishwasher connection included)



### STABMIX

Tap stabiliser



### COL19H

St/Steel colander to fit MINIMUM radius mm bowl, measures 200 x 410 x 100 mm



### COL19

St/Steel colander to fit MINIMUM radius mm bowl, measures 200 x 410 x 26 mm



### CB25MN

Single HPE chopping board to fit minimum radius bowls, black matt, measures 250 x 410 H 12 mm, dishwasher safe



### KITFD075

Waste disposal 0,75 HP, Motor: 1/2 horsepower, Fits all sinks with 3 1/2" waste outlet



### COLPTX

Draining rack base 300 x 185 x 82 mm


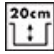



### CB28QU

Single HPL chopping board for minimum radius, oak, measures 280 x 418 H 12 mm

## Symbols glossary (TT)

---

- |  |   |   |   |
|--|---|---|---|
|  | Cupboard width required for sink installation                               |  | Sink depth - depending on the model, the depth can be from 13 to 24,5 |
|  | Ultra-low profile: Installation of product with flat edge - height of 1 mm. |   |   |