

# VQR40RS

|               |                 |
|---------------|-----------------|
| Sink material | Stainless steel |
| Type          | Welded bowl     |
| No. of bowls  | 1               |
| EAN code      | 8017709208950   |



## Aesthetics



|                  |                 |                                   |                   |
|------------------|-----------------|-----------------------------------|-------------------|
| <b>Aesthetic</b> | Universale      | <b>Building in type</b>           | Ultra-low profile |
| <b>Serie</b>     | Mira            | <b>Logo</b>                       | Embossed          |
| <b>Colour</b>    | Stainless steel | <b>Tap hole / precut tap hole</b> | 2 Tapholes        |
| <b>Finishing</b> | Brushed         |                                   |                   |

|      | Bowl type      | Bowl dimensions, WxDxH (mm) | Bowl depth (mm) | Radius corner bowl | Overflow          | Strainer position | Strainer dimension |
|------|----------------|-----------------------------|-----------------|--------------------|-------------------|-------------------|--------------------|
| Bowl | Minimum radius | 340 x 400 x 200             | 200             | 15                 | Yes, flush fitted | Wall position     | 3.5"               |

## Technical Features

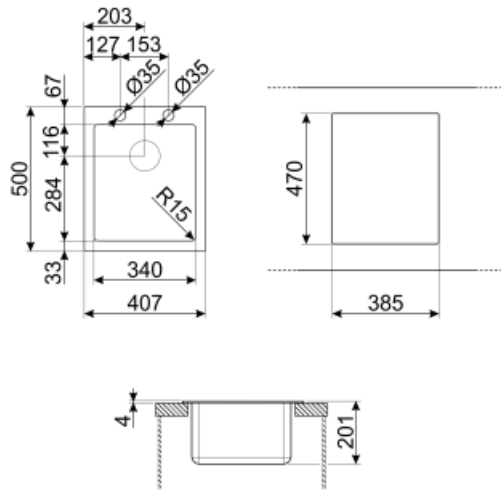


|                                       |                |                           |             |
|---------------------------------------|----------------|---------------------------|-------------|
| <b>Dimensions of the product (mm)</b> | 196x407x500 mm | <b>Tap hole diameter</b>  | 35 mm       |
| <b>Cutout dimension topmount (mm)</b> | 385 x 470 mm   | <b>Popup command</b>      | Yes, single |
| <b>Height from kitchen top</b>        | 6 mm           | <b>Popup command type</b> | Squared     |
| <b>Base unit size</b>                 | 45 cm          | <b>No. of clips</b>       | 10          |
| <b>Tap hole</b>                       | 2              | <b>Type of clips</b>      | Standard    |

## Accessories Included

**Accessories for  
installation**

Strainer, Savespace siphon  
with dishwasher outlet  
connection, Fixing clips,  
Gasket, Automatic pop - up  
with roudn rotary control



## Not included accessories



### KITFD050

Waste disposal 0,5 HP, Motor: 1/2 horsepower, Fits all sinks with 3 1/2" waste outlet



### DB34

St/steel drain basket to fit STD radius 340 x 400 bowl, 180 mm depth



### COL36

St/steel colander for MINIMUM radius bowls, measures 370 x 410 x 30 mm



### KITFD100

Waste disposal 1 HP, Motor: 1/2 horsepower, Fits all sinks with 3 1/2" waste outlet



### KITSLTRND1

Bowl automatic pop up Rondò waste kit with rectangular overflow and round knob



### 3712

Siphon single bowl sinks (dishwasher connection included)



### 3713

Siphon double bowls sinks (dishwasher connection included)



### STABMIX

Tap stabiliser



### COL19H

St/Steel colander to fit MINIMUM radius mm bowl, measures 200 x 410 x 100 mm



### COL19

St/Steel colander to fit MINIMUM radius mm bowl, measures 200 x 410 x 26 mm



### CB25MN

Single HPE chopping board to fit minimum radius bowls, black matt, measures 250 x 410 H 12 mm, dishwasher safe



### KITFD075

Waste disposal 0,75 HP, Motor: 1/2 horsepower, Fits all sinks with 3 1/2" waste outlet


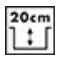



### CB28QU

Single HPL chopping board for minimum radius, oak, measures 280 x 418 H 12 mm

## Symbols glossary (TT)

---

- |  |   |   |   |
|--|---|---|---|
|  | Cupboard width required for sink installation                               |  | Sink depth - depending on the model, the depth can be from 13 to 24,5 |
|  | Ultra-low profile: Installation of product with flat edge - height of 1 mm. |   |   |