

MID9CR



Product family	Taps
Material	Brass
Swivelling spout	Yes
Swivelling spout rotation	360 °



Aesthetics



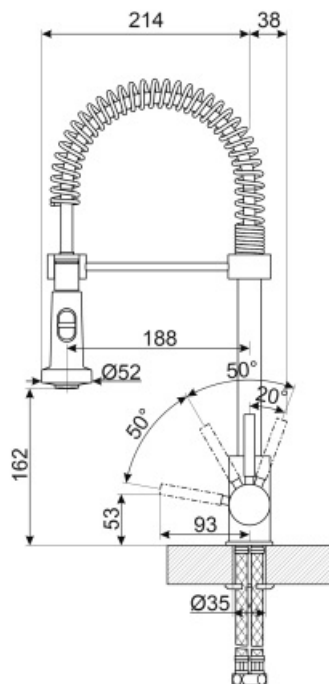
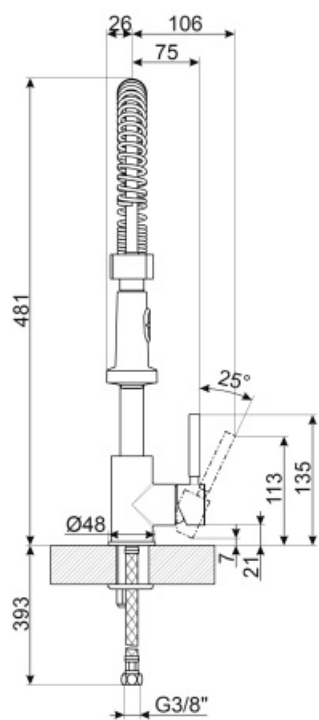
Aesthetic	Universale	Handshower	Mobile semi-professional
Colour	Chrome	Jet type	Double jets
Finishing	Glossy	Aerator	Yes
Spout type	Spring spout	Flexible hoses number	2
Tap type	Semi-professional single lever		

Technical Features




Flexible hoses lenght	360 mm	Minimum pressure	0,5 bar
Flexible hoses connection	3/8 "	Optimal pressure	3 bar
Ceramic disc cartridge type	35 Ø	Water production (l/min)	10,1 l
Maximum pressure	5 bar	Tap hole diameter	35 mm

Logistic Information

Product height (mm)	480 mm
---------------------	--------



Symbols glossary (TT)

- | | | | |
|--|--|---|---|
|  | Swivel spout rotation 360° |  | Double jet handshower. It is possible to simply switch between a standard stream mode and a spray mode. |
|  | The mobile hand shower of the Semi-Professional taps with high spout allows you to easily reach every point of the sink. | | |